

FIREPLACE INSERTS FROM BRUNNER



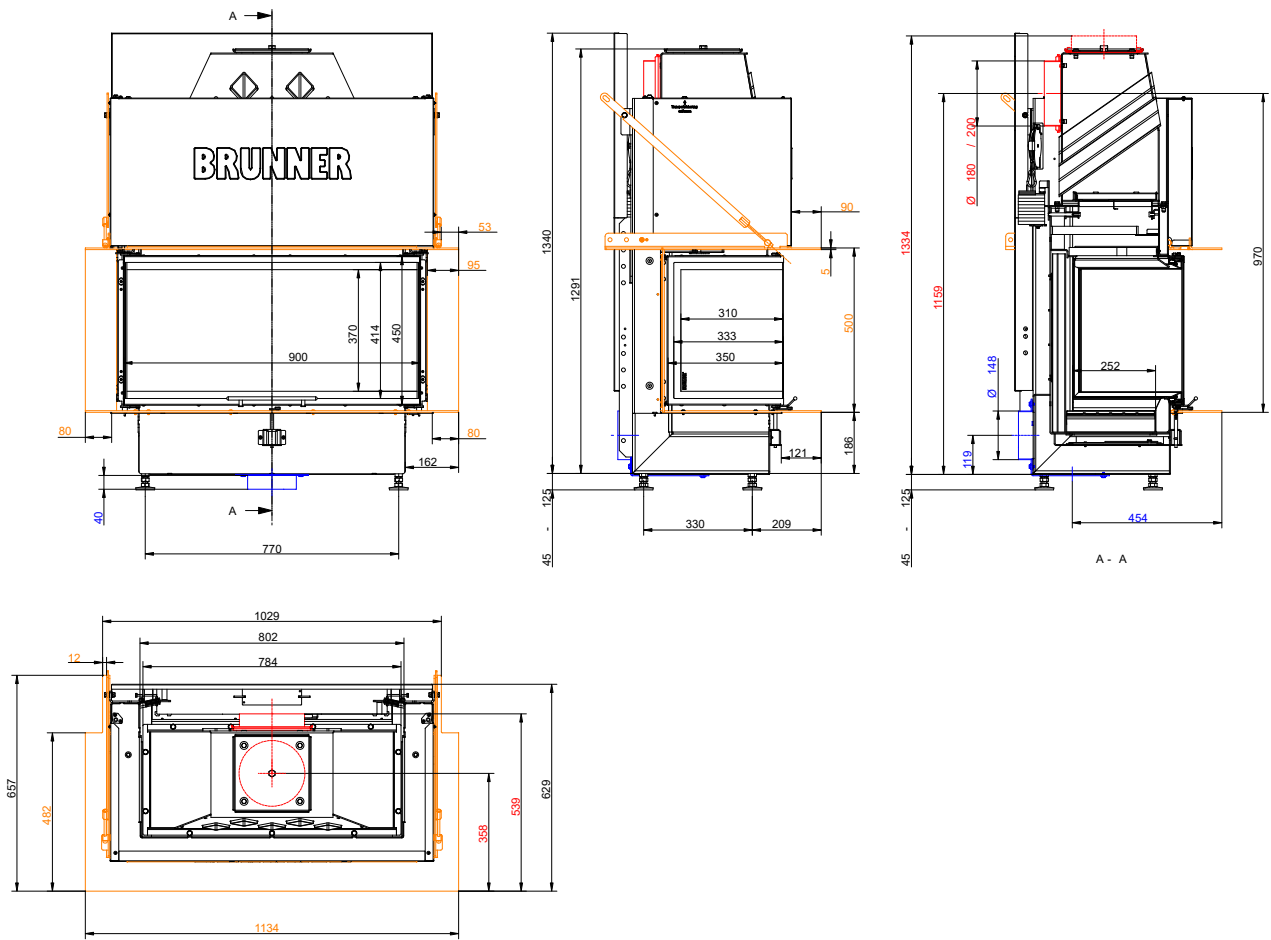
BKH Panorama 45-35-90-35 green

State: 2025-01-28



BRUNNER[®]

Dimension sheets - BKH Panorama 45-35-90-35 green

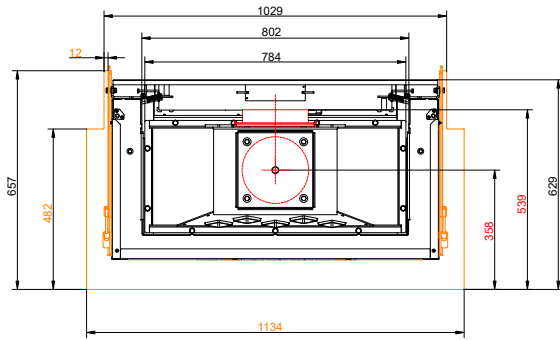
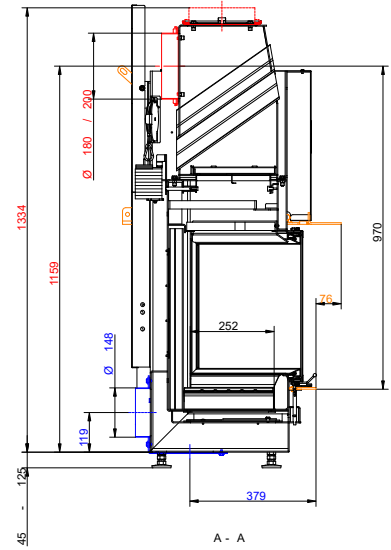
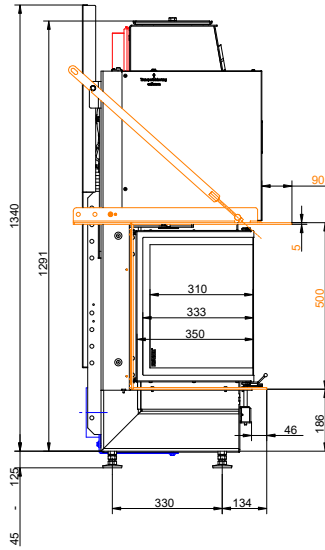
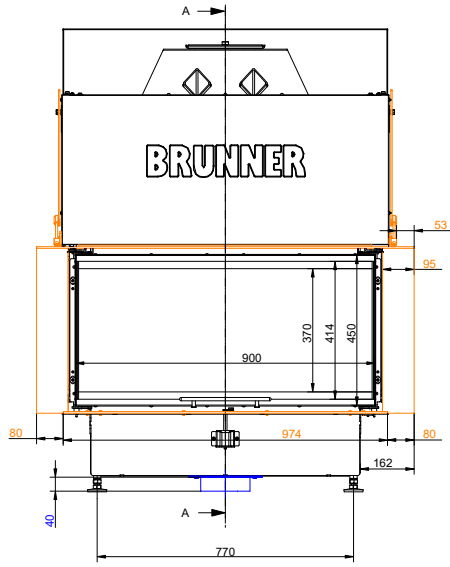


... with steel smoke hood and wide frame



... detail wide frame (schematic)

Dimension sheets - BKH Panorama 45-35-90-35 green

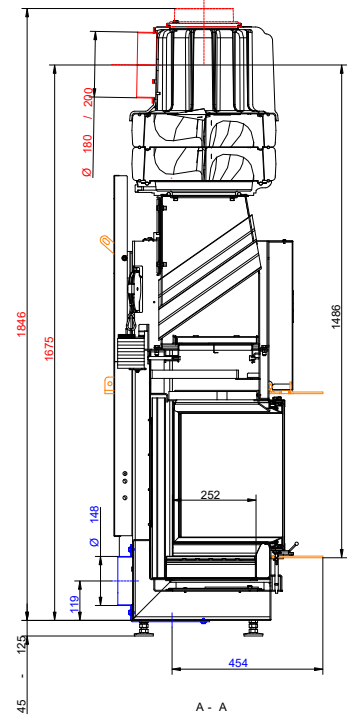
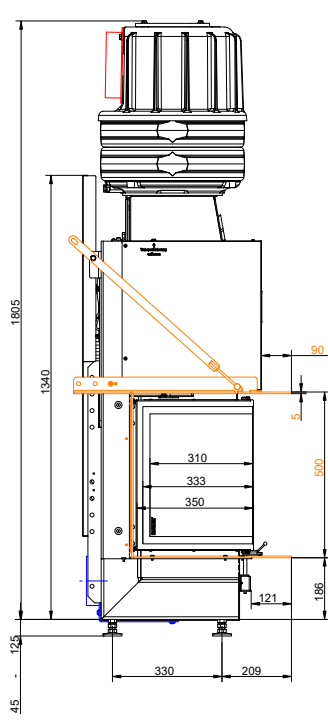
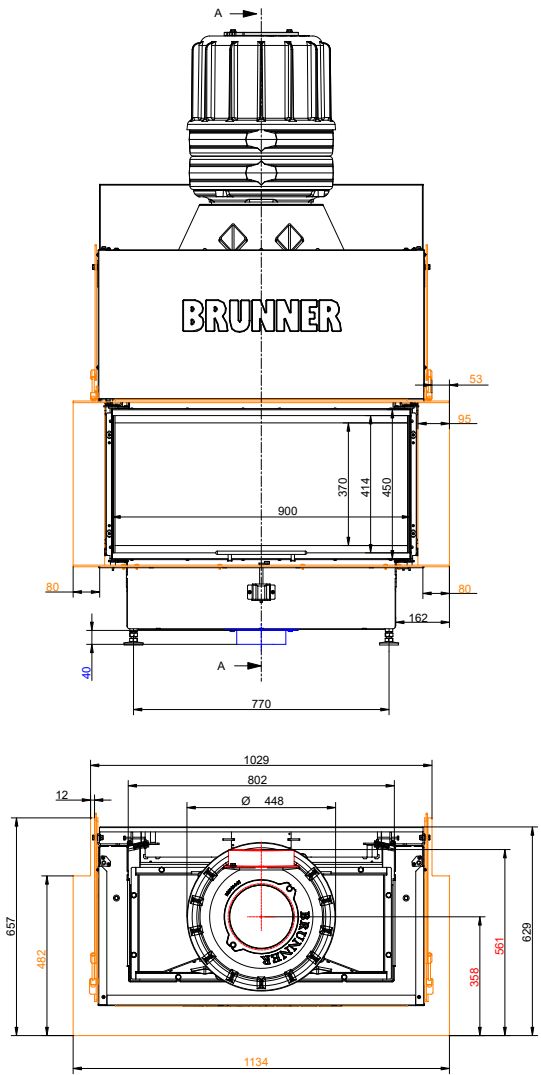


... with steel smoke hood and narrow frame

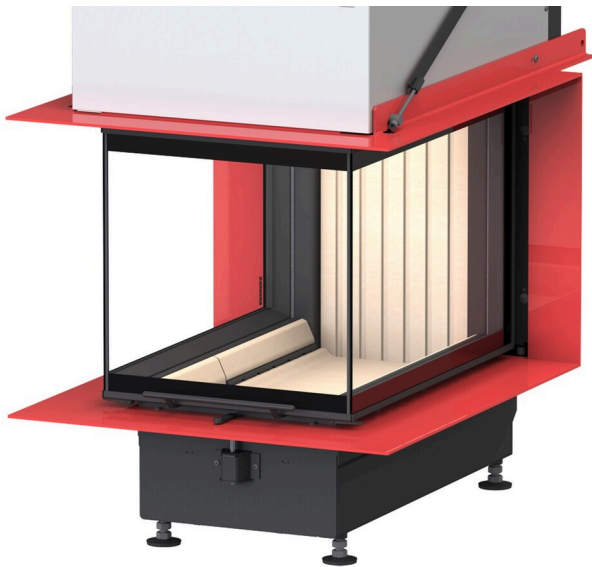


... detail narrow frame (schematic)

Dimension sheets - BKH Panorama 45-35-90-35 green

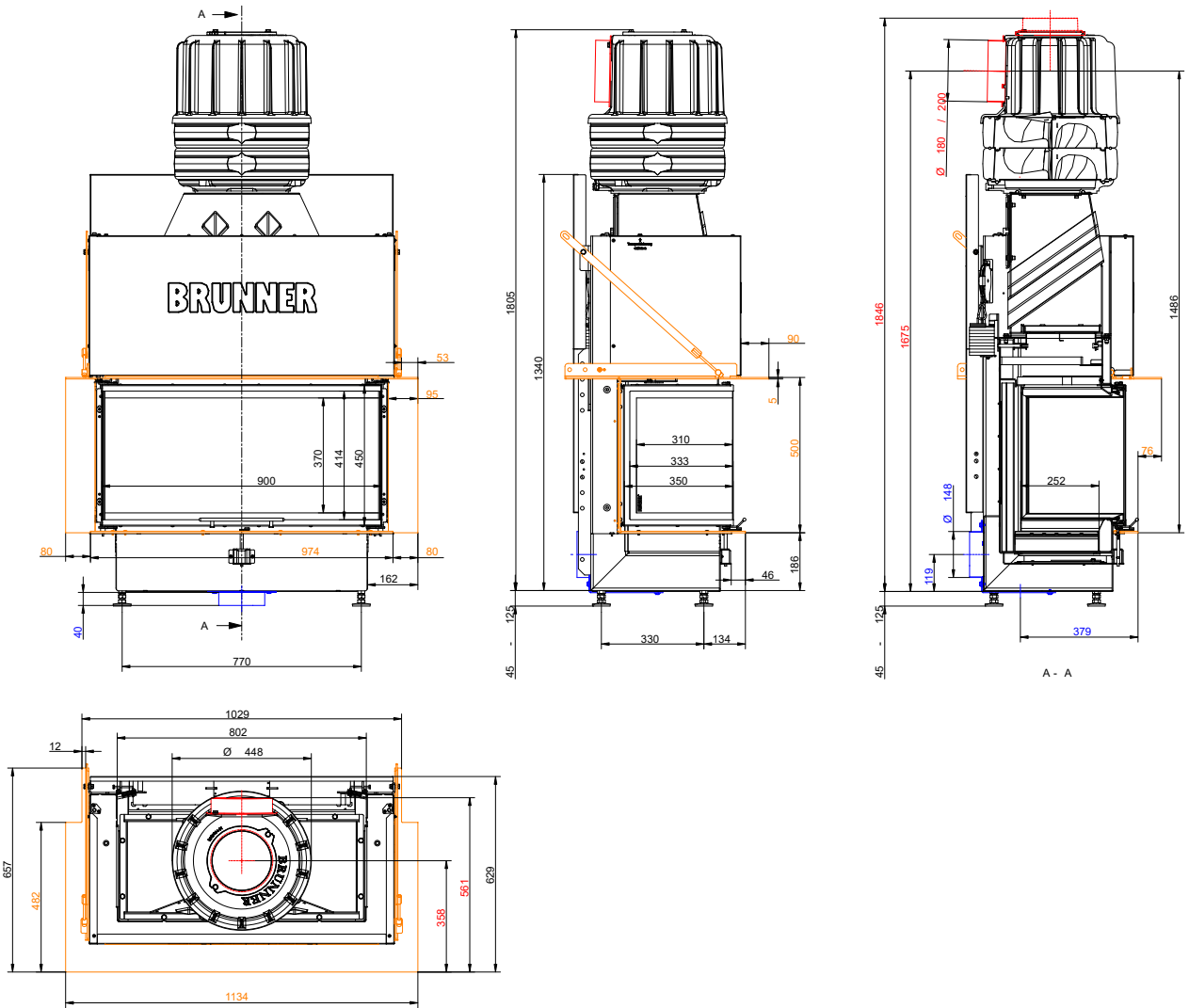


... with steel smoke hood + MAS and wide frame



... detail wide frame (schematic)

Dimension sheets - BKH Panorama 45-35-90-35 green



... with steel smoke hood + MAS and narrow frame



... detail narrow frame (schematic)

We suggest for CAD planning Palette CAD. Permanent updated drawings: www.brunner.de
 Frames/ flue gas outlet connection/ combustion air supply connection/ front variants/ support bearing are marked in color.

Planning and installation - BKH Panorama 45-35-90-35 green

| Tested according to | | EN 13229 W | EN 13229 WA |
|---|-------------------|---------------------------|---------------------------------|
| Values measured at | | Rated power ¹⁾ | Storage operation ²⁾ |
| Data for functional demonstration | | | |
| Rated heat power | kW | 11 | - |
| Fire wood volume | kg/h | 3.3 | 4.5 |
| Combustion performance | kW | 13 | 22 |
| Flue gas mass flow | g/s | 12 | 19 |
| Flue gas temperature after: | | | |
| steel smoke hood | °C | 200 | 250 |
| 2 x accumulation rings incl. MAS casted cover ³⁾ | °C | - | 180 |
| Necessary supply pressure | Pa | 12 | 12 |
| Fuel amount | kg | 2.5 | 5.0 |
| Combustion air consumption | m ³ /h | 32 | 48 |
| Combustion air connection Ø | mm | 150 | 150 |
| Heat distribution | | | |
| Insert / reheating surface | % | 30 / 30 | 30 / 30 |
| glass ceramic / glass ceramic coated (GKB) | % | 40 / 30 | 40 / 30 |
| Cross-section of gratings ⁴⁾ | | | |
| exhaust warm air | cm ² | 900 | 900 |
| Recirculation air | cm ² | 900 | 900 |
| Minimal oven surface for closed construction type | | | |
| Heat dissipating surface | m ² | 4.5 | 4.5 |
| Minimal distances of the fireplace | | | |
| Heat protection panel for cladding, insulation layer | cm | 3 | 3 |
| to cladding, insulation layer | cm | 5 | 5 |
| to the floor (non-combustible) | cm | 3 | 3 |
| Fire protection with active rear ventilation, intermediate space | | | |
| Minimum insulation thickness for construction : insulation material 5 cm rear active ventilation wall ⁵⁾ | | | |
| for mounting wall (combustible/non-combustible) | cm | 5 | 5 |
| Minimum insulation thickness for construction: insulation material 30 cm closed gap ceiling ⁶⁾ | | | |
| for ceiling (combustible) | cm | 10 | 10 |
| Fire protection with adequate insulation material | | | |
| Minimum insulation thickness for construction: insulation material mounting wall, ceiling, floor ⁶⁾ | | | |
| with heat protection panel, mounting wall (non-combustible) ⁷⁾ | cm | 6 | 6 |
| with heat protection panel, mounting wall (combustible) ⁷⁾ | cm | 12 | 12 |
| Mounting wall (non-combustible) | cm | 8 | 8 |
| Mounting wall (combustible) | cm | 18 | 18 |
| Ceiling (non-combustible) | cm | 8 | 8 |
| Ceiling (combustible) | cm | 22 | 22 |
| Floor (non-combustible) | cm | 0 | 0 |
| Minimum distances in front of the combustion chamber, glass ceramic / glass ceramic coated (GKB) | | | |
| for combustible parts | cm | ≥ 120 / ≥ 80 | ≥ 120 / ≥ 80 |
| Weight | | | |
| Fireplace insert + combustion chamber inner lining chamotte/cast iron | kg | 238 + 66 / 75 | |
| Meets requirement/limit values for: | | | |

Planning and installation - BKH Panorama 45-35-90-35 green

EU / Germany

Ecodesign / 1. BImSchV (Stufe 2)

- 1) Data on 'nominal output' determined with steel smoke hood $\varnothing 200$ mm and installed catalytic converter
- 2) Information on "Storage operation" for the version with top-mount accumulator MAS.
- 3) Damper flap recommended
- 4) Air cross-sections if the specified nominal heat output is desired as the heat output.
- 5) Fire safety: Values determined with air cross-sections recorded for testing purposes; active rear ventilation, stove shell is heat emitting.
Insulation thickness 5 cm calcium silicate board (brands: Promasil, Silka, Skamol) and 5 cm active rear ventilation with diagonally positioned air circulation and supply air openings of 75 cm^2 (5x15 cm) each. For detailed design, see assembly instructions.
- 6) Fire safety: values determined in safety test with air cross-sections recorded for testing purposes; stove shell is heat emitting.
Information on replacement insulation material with calcium silicate boards (brands: Promasil, Silka, Skamol).
The specifications for non-combustible walls/ceilings and the structure with a closed gap (30 cm) correspond to the specifications of TROL (Germany), see assembly instructions.
- 7) Heat protection plate: accessory for BKH flat/tunnel/corner versions; factory-fitted for BKH panoramic fireplaces.